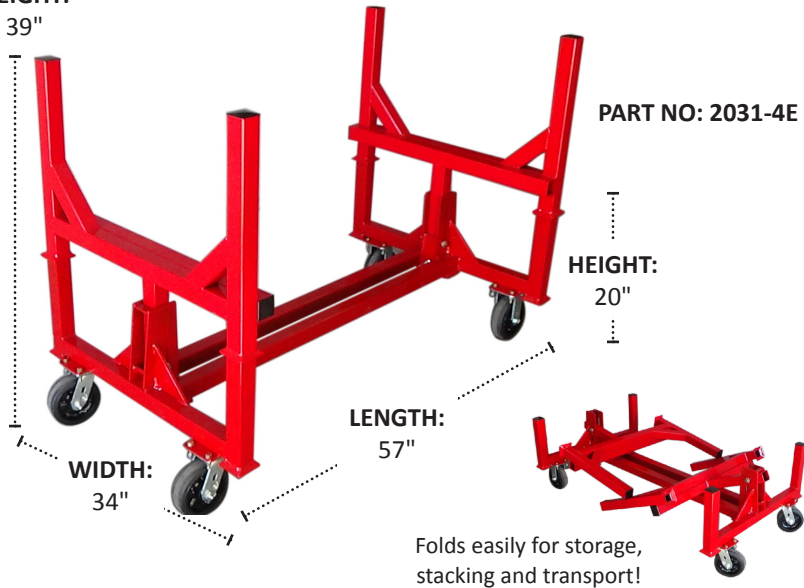


The B&B Bundle Cart is similar to the B&B Pipe Cart, but is designed for the storage and transport of multiple smaller diameter pipe, tube, and/or conduit. The fold down brackets can rest in a lowered position allowing storage, stacking and transport efficiency. Robust 2" square heavy gauge tubing and oversized 6" casters make the B&B bundle cart a great addition to many job-sites across multiple trades.

**HEIGHT:**

39"



**Specifications**

- Heavy gauge solid steel construction and replaceable wheels for years of use
- U-bracket folds down for storage and transport of the cart, and locks up in position for heavy-duty bundle storage of pipe, tubing and conduit
- The Bundle cart utilizes a modular design which makes storage and transport of multiple cart types possible
- 6" wheels standard
- Shipping weight 130 lbs.
- 1,000 lbs. weight capacity
- 57" L x 34" W x 39" H (folded height - 20")

PART NO	DESCRIPTION	WEIGHT CAPACITY	DIMENSIONS (L x W x H)	UNIT WEIGHT
2031-4E	Bundle cart, 4 wheels, without floor	1,000 lbs.	57" x 34" x 39"	130 lbs.