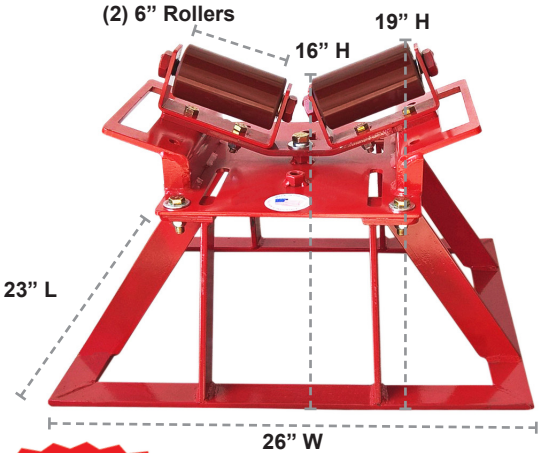




Pipe & Industrial Tools™

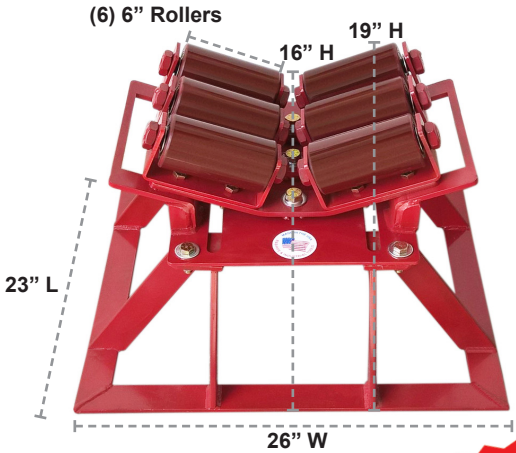
SPEC SHEET 2" - 24" PIPE LAUNCHER PN 2115 SERIES

PN 2115



CONVERTIBLE!
Remove base for
beam clamp roller.

PN 2115HD



EXPANDABLE!
Add rollers to
increase capacity.

SPECIFICATIONS

- Pipe capacity: 2" - 24"
- Weight capacity: PN 2115 - 2,500 lbs.
PN 2115HD - 7,500 lbs.
- Shipping weight: PN 2115 - 89 lbs.
PN 2115 HD - 125 lbs.
- Dimensions: PN 2115 - 23" L x 26" W x 16" - 19" H
PN 2115HD - 23" L x 26" W x 16" - 19" H
- Urethane over steel wheels with sealed bearings.
- 6" wheels.
- 2115: 2 wheels, 2,500 lbs. capacity
2115HD: 6 wheels, 7,500 lbs. capacity
- All wheels and housings are replaceable.
- Carry handles.
- Powder coated safety red.
- Stackable nesting design.



**Stackable
Nesting
Design**

PN	Description	Pipe Capacity	Weight Capacity	Shipping Weight	Dimensions (inches) L x W x H1-H2
2115	Beam Clamp Roller (Two Rollers)	2" - 24"	2,500 lbs.	89 lbs.	23" x 26" x 16" - 19"
2115HD	Beam Clamp Roller HD (Six Rollers)	2" - 24"	7,500 lbs.	126 lbs.	23" x 26" x 16" - 19"