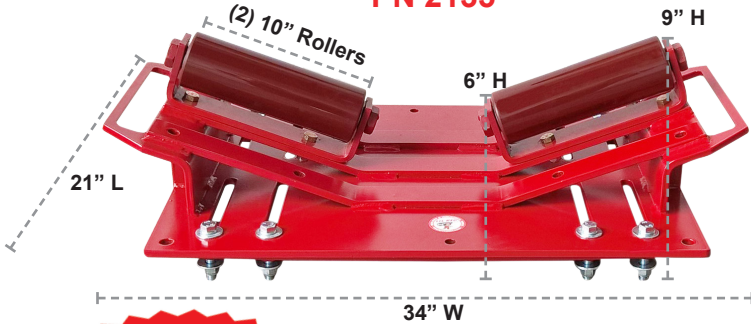




Pipe & Industrial Tools™

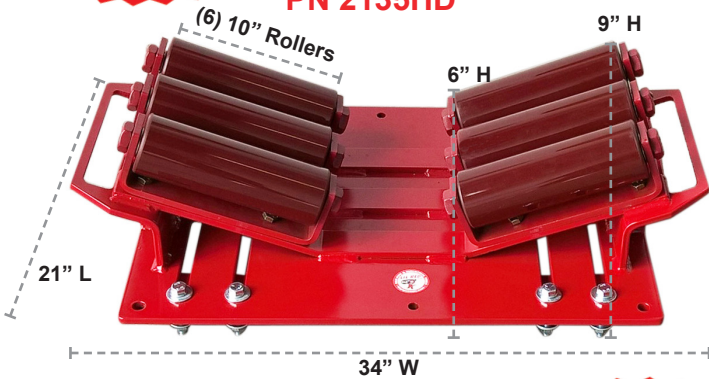
SPEC SHEET 16" - 60" BEAM CLAMP ROLLERS PN 2135 SERIES

PN 2135



CONVERTIBLE!
Add base for pipe launcher.

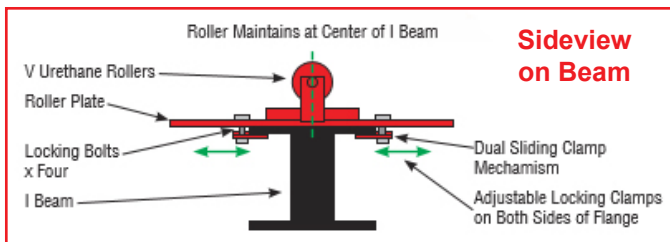
PN 2135HD



EXPANDABLE!
Add rollers to increase capacity.

SPECIFICATIONS

- Pipe capacity: 16" - 60"
- Weight capacity: PN 2135 - 10,000 lbs.
PN 2135HD - 20,000 lbs.
- Shipping weight: PN 2135 - 142 lbs.
PN 2135 HD - 199 lbs.
- Dimensions: PN 2135 - 21" L x 34" W x 6" - 9" H
PN 2135HD - 21" L x 34" W x 6" - 9" H
- Urethane over steel wheels with sealed bearings.
- 10" wheels.
- 2135: 2 wheels, 10,000 lbs. capacity
2135HD: 6 wheels, 20,000 lbs. capacity
- All wheels and housings are replaceable .
- Carry handles.
- Powder coated safety red.
- Safety harness included.
- Safety harness must be used when in operation.



PN	Description	Pipe Capacity	Weight Capacity	Shipping Weight	Dimensions (inches) L x W x H1-H2
2135	Beam Clamp Roller (Two Rollers)	16" - 60"	10,000 lbs.	142 lbs.	21" x 34" x 6" - 9"
2135HD	Beam Clamp Roller HD (Six Rollers)	16" - 60"	20,000 lbs.	199 lbs.	21" x 34" x 6" - 9"