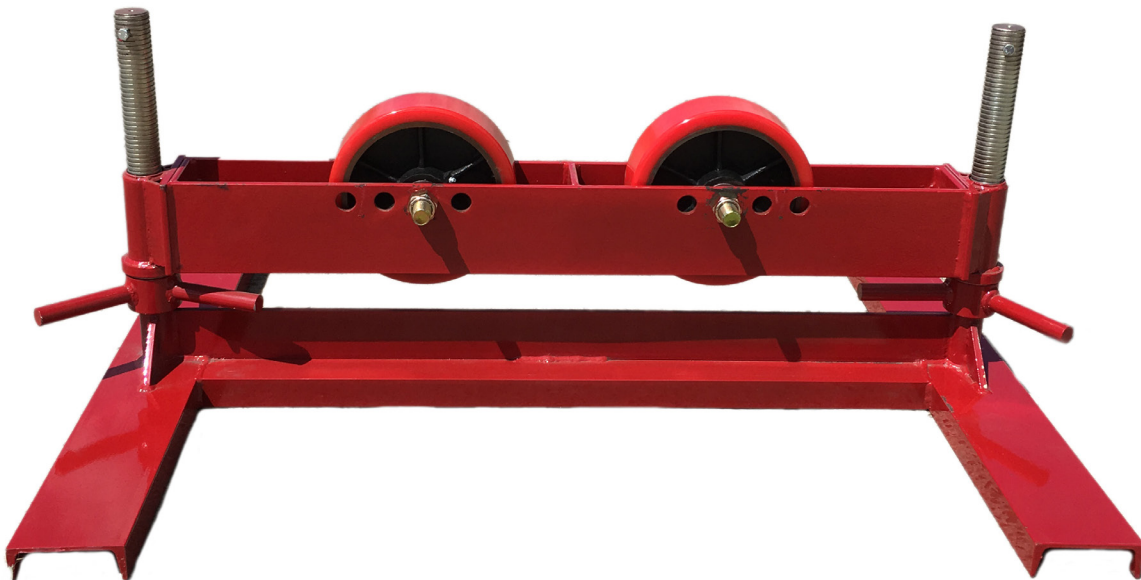




PIPE & INDUSTRIAL TOOLS

Operator's & Safety Manual

8,000 lbs Super Stubby Mega Roller

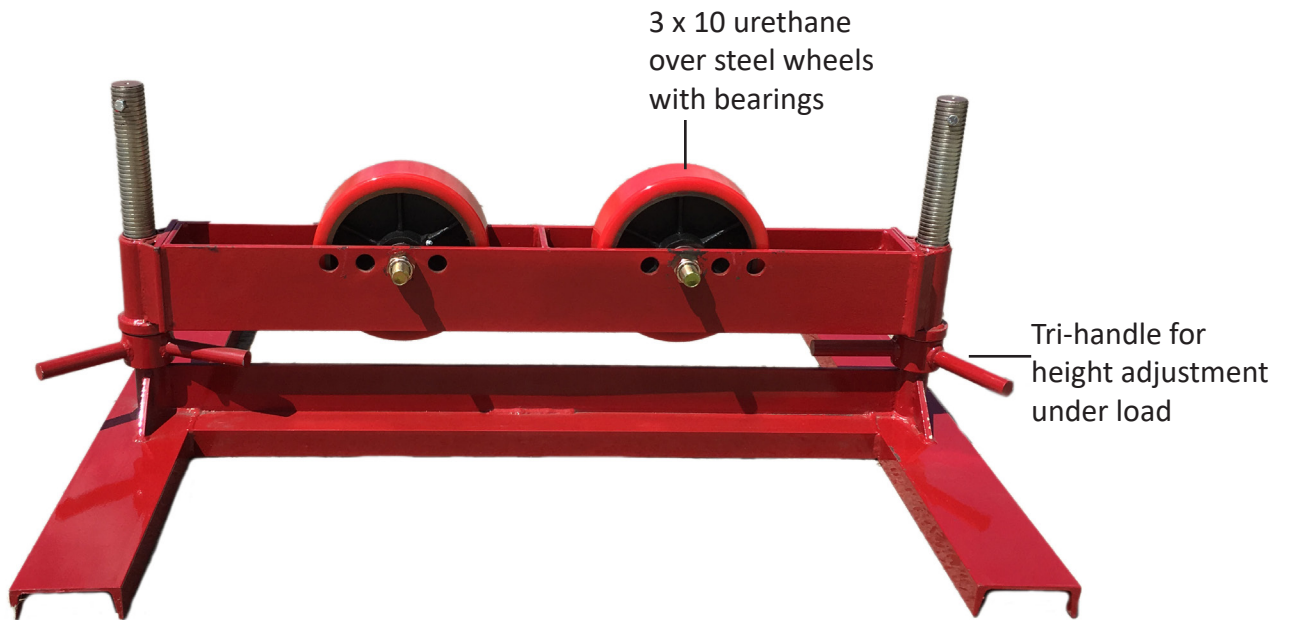


14 - 26 inches

PN 3804

8,000 lbs Super Stubby Mega Roller Operating Manual

8,000 lbs Super Stubby Mega Roller



Specifications

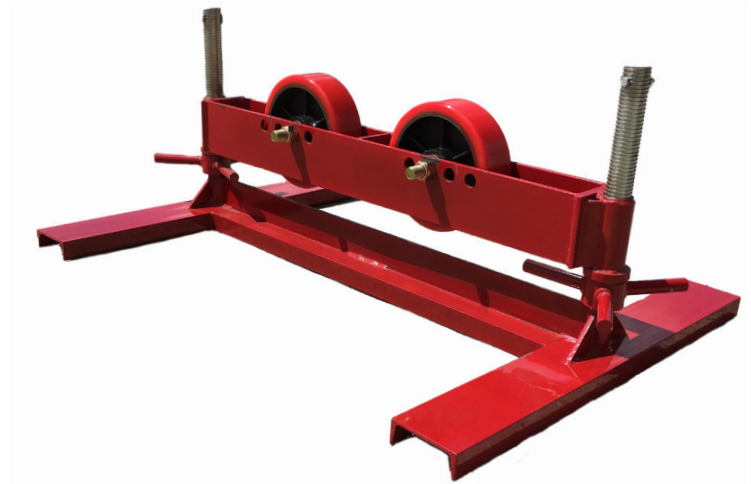
Model Number: 3804

Operational Height: 14" - 26"
(top of wheel @ center hole)

Weight Capacity: 8,000 lbs.

Footprint: 36" x 36"

Max pipe diameter: 48"



PIPE & INDUSTRIAL TOOLS

General Safety Instructions

1. **Do not misuse unit.** Never attempt to operate the equipment at more than the recommended capacity. Perform only the functions for which the mega rollers are designed.
2. **Keep alert.** Never horseplay around equipment and keep bystanders at a safe distance. Do not allow children to be in the work areas or operate mega rollers.
3. **Keep work area clean.** For unobstructed movement around the mega roller, always keep floor in work area clear of clutter.
4. **Examine the equipment.** Prior to using B&B products, inspect all parts to ensure that they are in proper operating condition. Inspect legs for metal deformation, bends or breaks.
5. **Wear proper personal protection equipment.** Welding helmet or hard hat, welding gloves and safety shoes should be worn as a precaution while operating this stand.
6. **Operate only on hard level surfaces.** Use the mega roller only on smooth and level surfaces to avoid tipping and the possibility of operator injury.

Instructions for Use

Read and understand the instructions for safe performance. Always read operators manual before working with jacks and stands. Understand the correct operations, applications, and limitations. Store this safety manual in a clear area and always at a readily accessible site. Be especially aware of specific hazards. Extra copies are available from B&B Pipe and Industrial Tools.

1. Check Mega Roller capacity rating and make sure it is not overloaded.
2. Check for damage before using. If damaged, remove from service and do not use.
3. Use on hard level surfaces. Be sure all feet of the Mega Roller are on the ground.
4. Only use Mega Roller for its intended purposes.
5. Place pipe onto Mega Roller slowly. Do not drop the pipe onto the Mega Roller.
6. To avoid tipping, Mega Roller should be properly aligned so that the pipe rests on both of the rollers of each Mega Roller being used. Never allow anyone under the pipe while it is supported by the Mega Roller.
7. Do not remove components or alter the Mega Roller in any way.