



# Pipe & Industrial Tools™

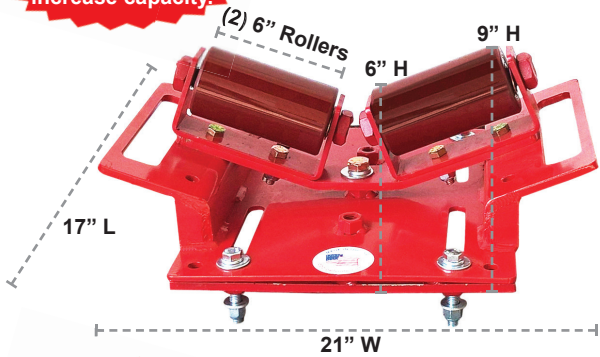
## SPEC SHEET

# 2" - 24" BEAM CLAMP ROLLERS

## PN 2110 SERIES

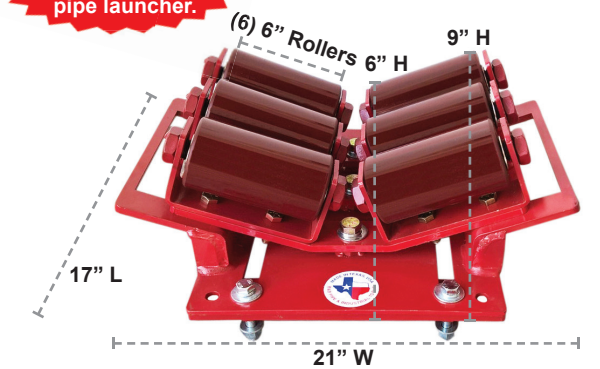
**EXPANDABLE!**  
Add rollers to increase capacity.

**PN 2110**



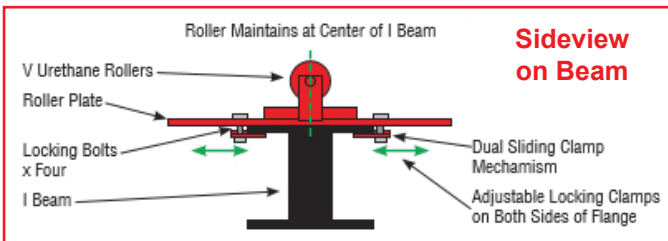
**CONVERTIBLE!**  
Add base for pipe launcher.

**PN 2110HD**



### SPECIFICATIONS

- Pipe capacity: 2" - 24"
- I-Beam range: 6" - 12"
- Weight capacity: PN 2110 - 2,500 lbs.  
PN 2110HD - 7,500 lbs.
- Shipping weight: PN 2110 - 59 lbs.  
PN 2110 HD - 95 lbs.
- Dimensions: PN 2110 - 17" L x 21" W x 6" - 9" H  
PN 2110HD - 17" L x 21" W x 6" - 9" H
- Urethane over steel wheels with sealed bearings.
- 6" wheels.
- 2110: 2 wheels, 2,500 lbs. capacity  
2110HD: 6 wheels, 7,500 lbs. capacity
- All wheels and housings are replaceable.
- Carry handles.
- Powder coated safety red.
- Safety harness included.
- Safety harness must be used when in operation.



PN	Description	Pipe Capacity	Weight Capacity	Shipping Weight	Dimensions (inches) L x W x H1-H2
2110	Beam Clamp Roller (Two Rollers)	2" - 24"	2,500 lbs.	59 lbs.	17" x 21" x 6" - 9"
2110HD	Beam Clamp Roller HD (Six Rollers)	2" - 24"	7,500 lbs.	95 lbs.	17" x 21" x 6" - 9"