

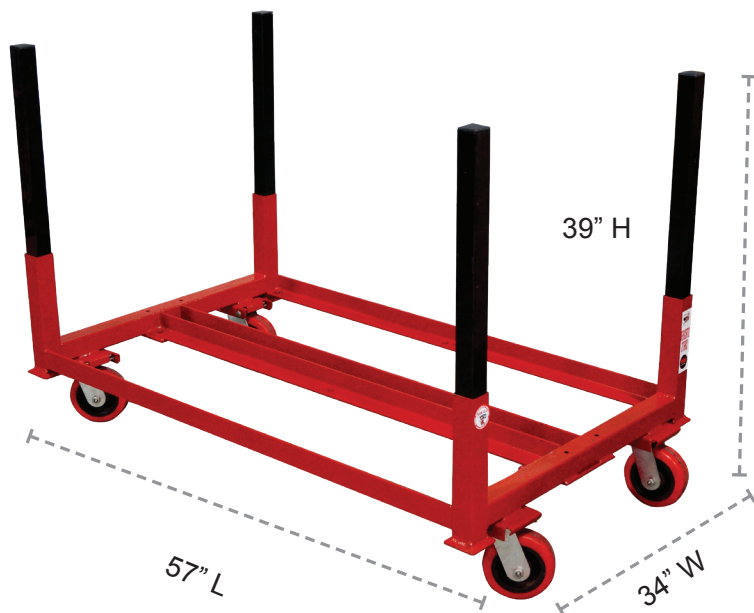


AN SFE® GROUP BRAND

# STAKE CART

**PN 2012-4E (WITHOUT FLOOR)**

**PN 2012-6E (WITHOUT FLOOR)**



- 2,000 lbs. weight capacity.
- Shipping weight = 180 lbs.
- Palletized up to six high and shrink wrapped.
- 57" L x 34" W x 39" H (Folded height - 20")
- Polyurethane wheels (4 swivel and 2 fixed).
- Made of 2" x 2" square tubing and nest stack with one another.
- Fits through 36" doorways.
- Safety powder coated red.
- You must use B&B replacement parts on all B&B products.

**PN 2012**  
Stacks for efficient transport and storage!

