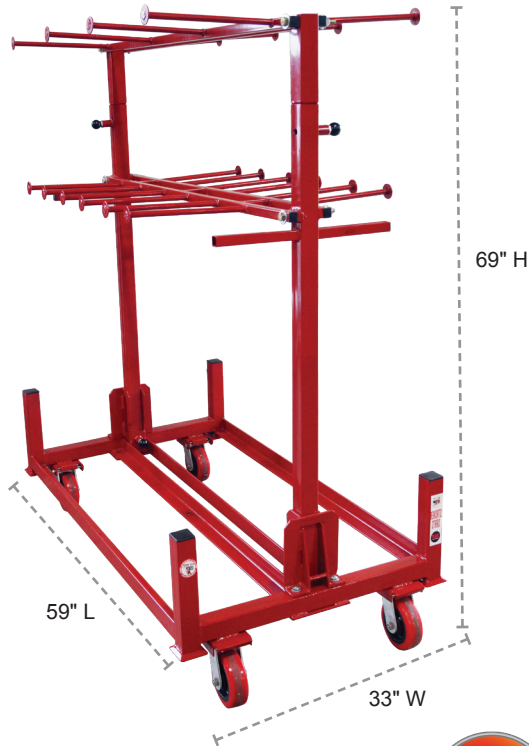




AN SFE® GROUP BRAND



**PN 2036**  
Stacks for efficient transport and storage!



# HANGER CART

## PN 2036-4E (WITHOUT FLOOR)

- 1,000 lbs. weight capacity.
- Unit weight 192-206 lbs
- Fits through 36" doorways.
- Proudly manufactured in the USA.
- Patented Gravity Lock System. Secures uprights in position. Simply lift uprights from folded position into place, and let gravity do it's job.
- Uprights securely locks into position without the need to disengage, pull pin.
- Foldable and Stackable for efficient transportation and storage. The B&B Cup Stacking System ensures carts stay stacked and secured.
- Urethane over Steel hub - EZ Glide Wheels on all carts.
- Powder coated safety red.
- Patent pending safe, no pinch gravity lock pin system.
- You must use B&B replacement parts on all B&B products.

